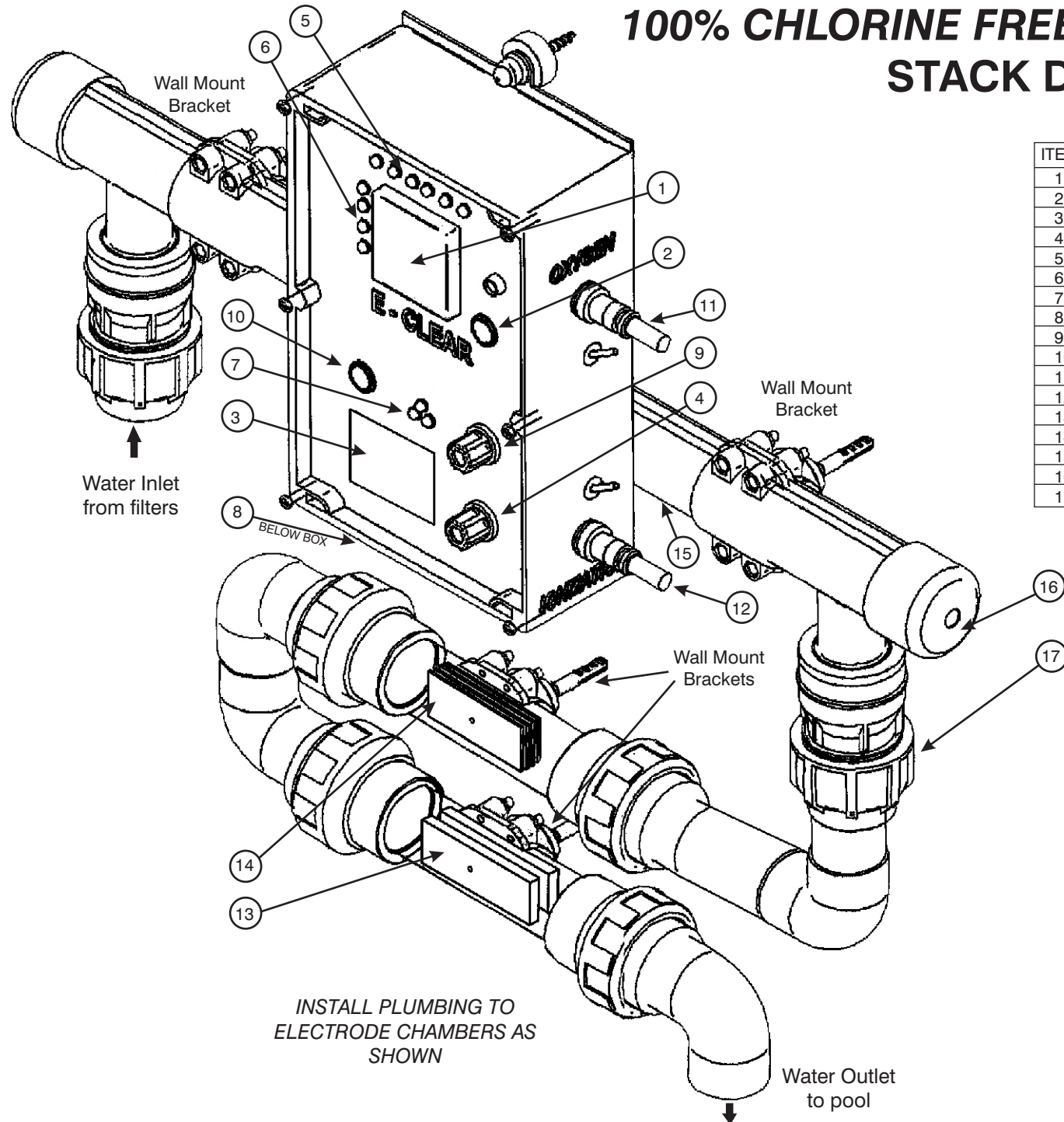


100% CHLORINE FREE MODEL - WITH U.V. STACK DESIGN



ITEM	DESCRIPTION
1	OXYGEN & IONIZATION DOSING METER
2	UV ON/OFF SWITCH
3	IONIC INSTRUCTIONS
4	IONIC PROGRAM
5	OUTPUT OXYGEN LIGHT-INDICATORS
6	OUTPUT IONIZATION LIGHT-INDICATORS
7	MAIN POLARITY-SWITCH INDICATOR
8	MAIN ON/OFF POWER SWITCH
9	DOSING
10	MAIN OXYGEN POWER SUPPLY
11	WHITE CABLE TO OXYGEN PLATES
12	BLACK CABLE TO IONIZATION PLATES
13	COPPER PLATES - THICK PINK PLATES
14	OXYGEN PLATES - THIN BLACK PLATES
15	U.V. REACTOR CHAMBER - 1.3 m LONG
16	U.V. LAMP ENCLOSED
17	Ø 63 mm INLET / OUTLET

INSTALL PLUMBING TO
ELECTRODE CHAMBERS AS
SHOWN